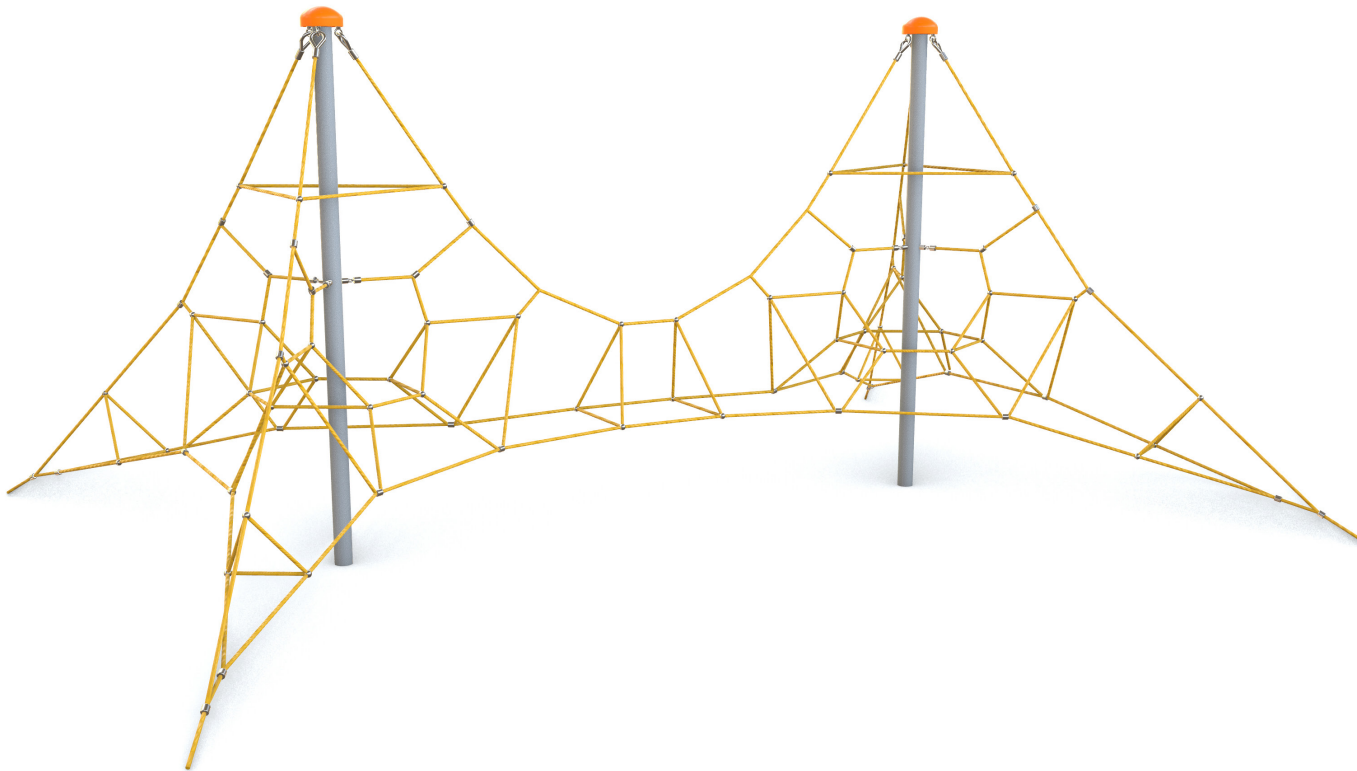




Ropes

3m Twin Activity Net

PWS-RP02



Material Specifications

Steel core rope

Metal or plastic cross joints

Galvanised or powdercoated steel posts

Stainless steel fixings

Equipment Specifications

Max FHOE 2000mm

Fall zone area 62m²

Highest point 3000mm

Standards

AS4685 series

General Product Information

Age Group 3+

Colour options available

Spare parts available

Heaviest part = steel posts -
machinery required

☎ 02 9420 8296

✉ info@playworkshop.com.au

🌐 playworkshop.com.au





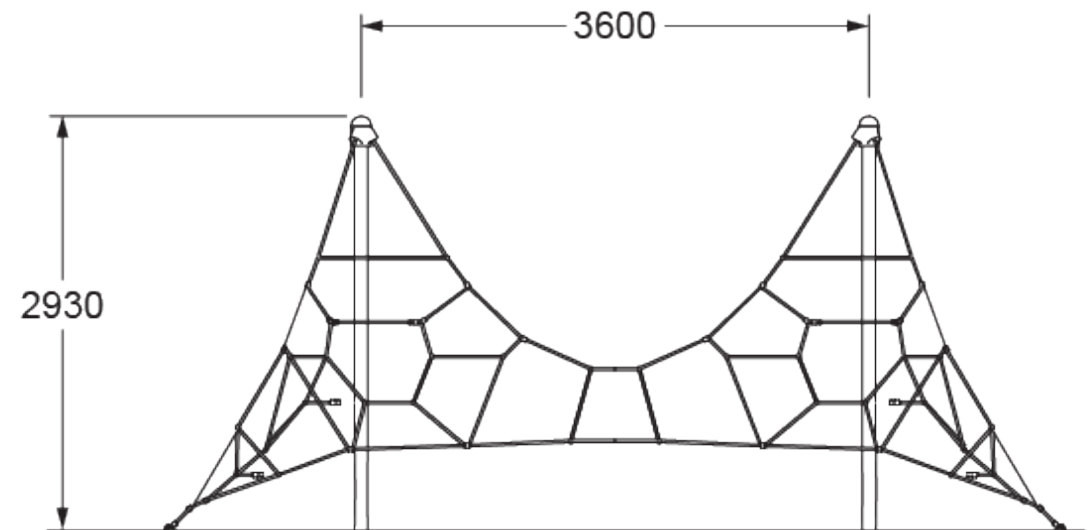
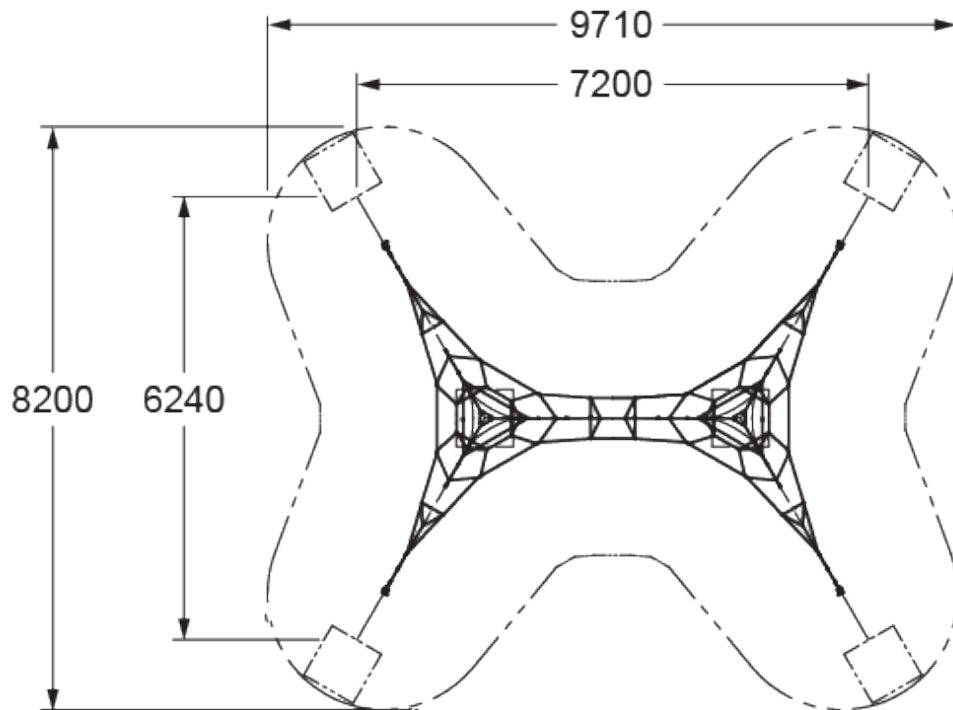
Ropes

3m Twin Activity Net PWS-RP02

Legend:



Impact Area as per AS4685:2021



02 9420 8296

info@playworkshop.com.au

playworkshop.com.au

